

With plastic or sheet steel housing and dual scale in bar/psi, »pressure line« Series

Low-priced series of standard pressure gauges available in all popular diameters with the most frequently requested measuring ranges.

Version: Bourdon-tube pressure gauge
 Applications: For gaseous or liquid media which do not corrode copper alloy, do not have high viscosity and do not crystallise
 Measuring element and movement: Copper alloy
 Front glass: Plastic
 Medium temperature: -20 °C to +60 °C
 Ambient temperature: -20 °C to +60 °C

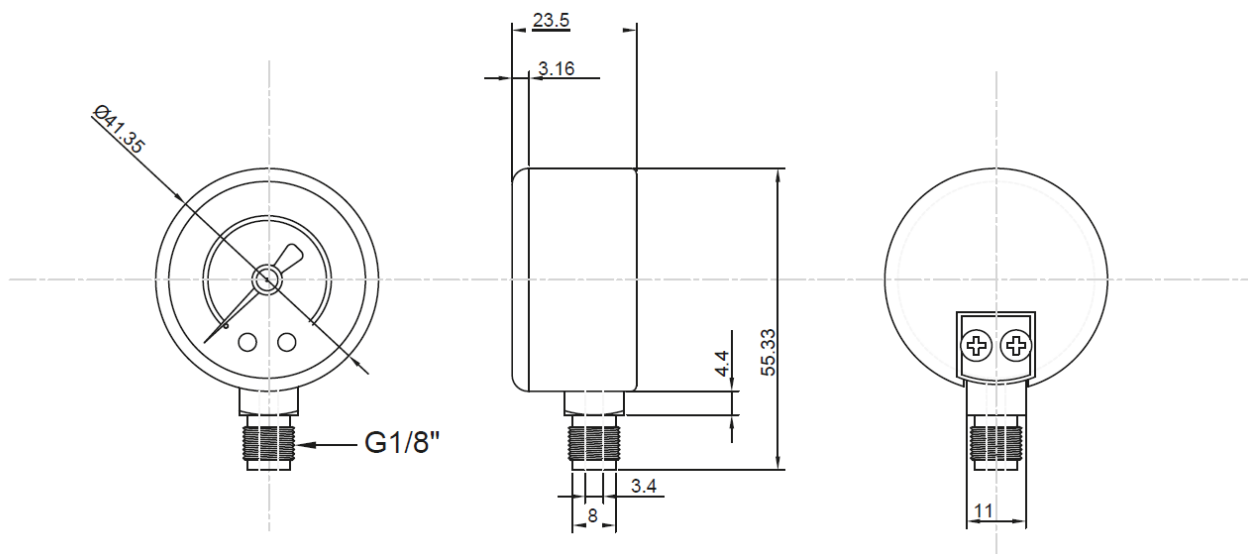


116-DE

Standard pressure gauge, connection radial on bottom

Art. No.	Type No.	Measuring range bar		Accuracy class	Housing	Diameter mm	Connection
115011	110.30-KDE	-1 / 0	for vacuum	2.5	Plastic	40	G 1/8
115012	110.31-KDE	0 – 1.6	-	2.5	Plastic	40	G 1/8
115013	110.32-KDE	0 – 2.5	-	2.5	Plastic	40	G 1/8
115014	110.33-KDE	0 – 4.0	-	2.5	Plastic	40	G 1/8
115015	110.34-KDE	0 – 6.0	-	2.5	Plastic	40	G 1/8
115016	110.35-KDE	0 – 10.0	-	2.5	Plastic	40	G 1/8
115017	110.36-KDE	0 – 16.0	-	2.5	Plastic	40	G 1/8

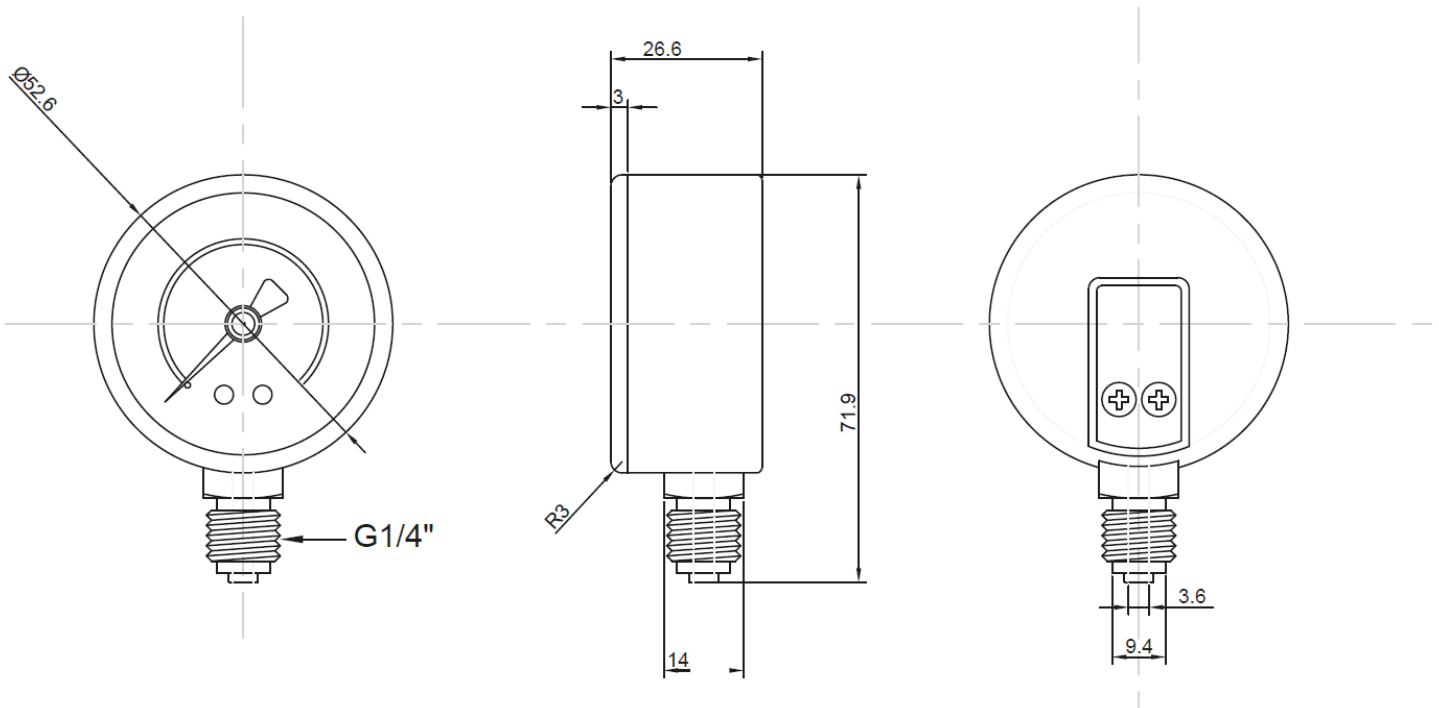
Dimensions in mm:



Standard pressure gauge, connection radial on bottom

Art. No.	Type No.	Measuring range bar		Accuracy class	Housing	Diameter mm	Connection
114734	100-KDE	-1 / 0	for vacuum	2.5	Plastic	50	G 1/4
114735	101-KDE	0 – 1.0	-	2.5	Plastic	50	G 1/4
114736	102-KDE	0 – 1.6	-	2.5	Plastic	50	G 1/4
114737	103-KDE	0 – 2.5	-	2.5	Plastic	50	G 1/4
114738	104-KDE	0 – 4.0	-	2.5	Plastic	50	G 1/4
114739	105-KDE	0 – 6.0	-	2.5	Plastic	50	G 1/4
114740	106-KDE	0 – 10.0	-	2.5	Plastic	50	G 1/4
114741	107-KDE	0 – 16.0	-	2.5	Plastic	50	G 1/4

Dimensions in mm:



Standard pressure gauge, connection radial on bottom

Art. No.	Type No.	Measuring range bar		Accuracy class	Housing	Diameter mm	Connection
116304	6301-DE	-1 / 0	for vacuum	1.6	Sheet steel	63	G 1/4
115025	112-DE	0 – 1.0	-	1.6	Sheet steel	63	G 1/4
115026	113-DE	0 – 1.6	-	1.6	Sheet steel	63	G 1/4
115027	114-DE	0 – 2.5	-	1.6	Sheet steel	63	G 1/4
115028	115-DE	0 – 4.0	-	1.6	Sheet steel	63	G 1/4
115029	116-DE	0 – 6.0	-	1.6	Sheet steel	63	G 1/4
115030	117-DE	0 – 10.0	-	1.6	Sheet steel	63	G 1/4
115031	118-DE	0 – 16.0	-	1.6	Sheet steel	63	G 1/4

Dimensions in mm:
